

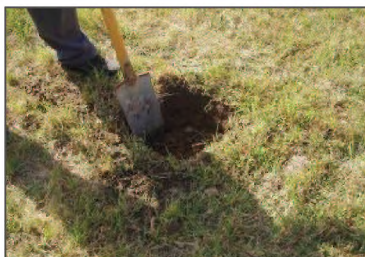
2. Installation of the fencing system

1. Foundations

- To obtain the best result, it is advisable to level the ground over the whole length of the fence
- For correct positioning, maintain the centre-centre distances. The distance is determined by the post system and the type of panel being installed

Post system	Centre-centre distance
Quixolid	2540 mm (*)

- (*) + 500 mm for type 3-M
- Align the fence line: tension a wire on the fence line as a reference during installation
- To determine the dimensions of the foundations it is advisable to consult a specialised engineer to evaluate wind load and solar conditions and any other factors requiring specialist opinion (concrete quality directive B30)
- In case of direct installation the post needs to be supported as long as necessary



2. Installation of the fencing system

2. Install posts & panels

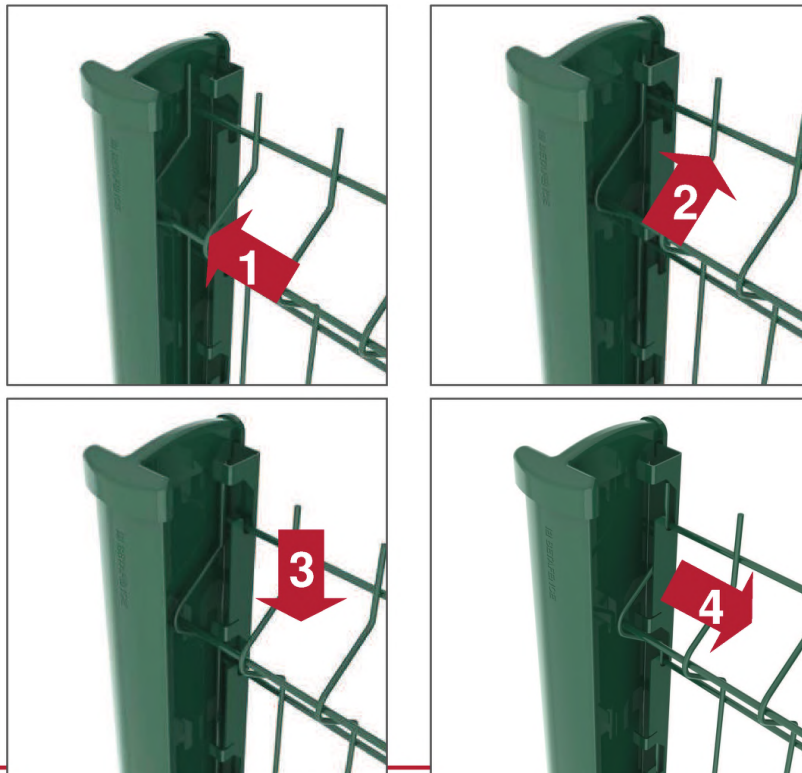
- Installation principle: Quixolid posts are installed according to the 'post-panel-post' system
- Install the first post:
 - Put the post along the tensioned wire
 - Align the post vertically with a water level
 - Add (rather dry) concrete to the foundation and press it firmly until the post stays in position without support
 - Fill the complete foundation hole with concrete



2. Installation of the fencing system

2. Install posts & panels

- Insert the first panel in the Quixolid post (five steps) – The panel can be inserted immediately in line with the fence (no angle needed)
- Use the tension tool to keep the panels in position until the next post is installed. Turn the tension tool left or right until it's fixed, the direction is depending on the type of panel



B BETA FENCE

2. Installation of the fencing system

2. Install posts & panels

- The panel is directly secured by the inner folding that blocks the panel nose
- For extra security, the lips can also be folded completely to the inside, clamping around the vertical wire. This is most useful on the first and last post of the fence



2. Installation of the fencing system

2. Install posts & panels

- Attach a second post to the panel, use also a tension tool to keep the post and panel in position
- Align the post vertically
- Use a water level to check if the panel is perfectly horizontal. If not, adjust the height of the second post
- Now, put concrete in the second foundation hole and press firmly
- Repeat the previous steps to complete the installation



2. Installation of the fencing system

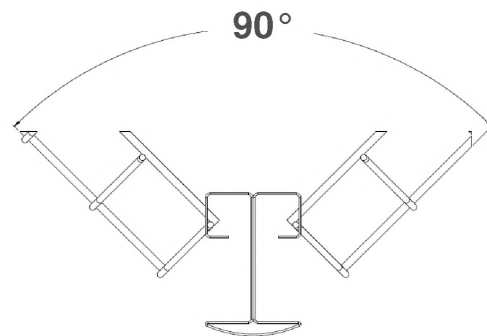
2. Install posts & panels

MAKING CORNERS

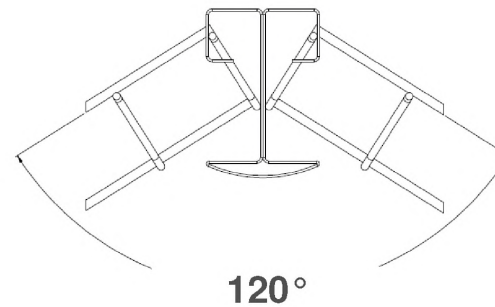
Corners can be made with only one post

A second post is only necessary in 2 cases:

- outside corners smaller than 90°
- inside corners smaller than 120°



OUTSIDE CORNERS



INSIDE CORNERS

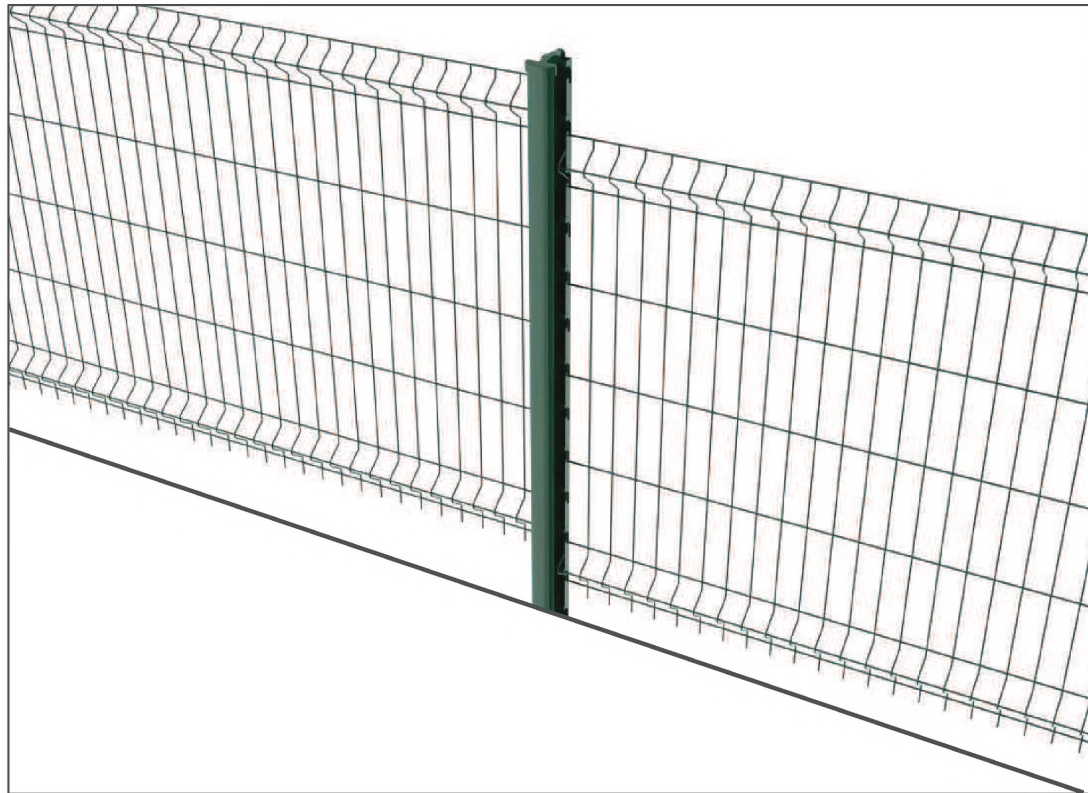


2. Installation of the fencing system

2. Install posts & panels

INSTALLATION ON SLOPES

Slopes are possible in 100mm steps

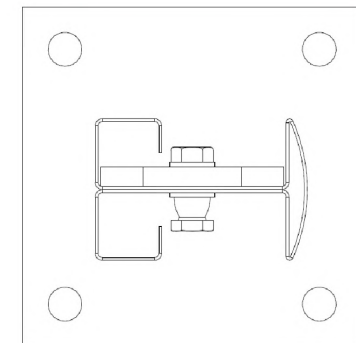
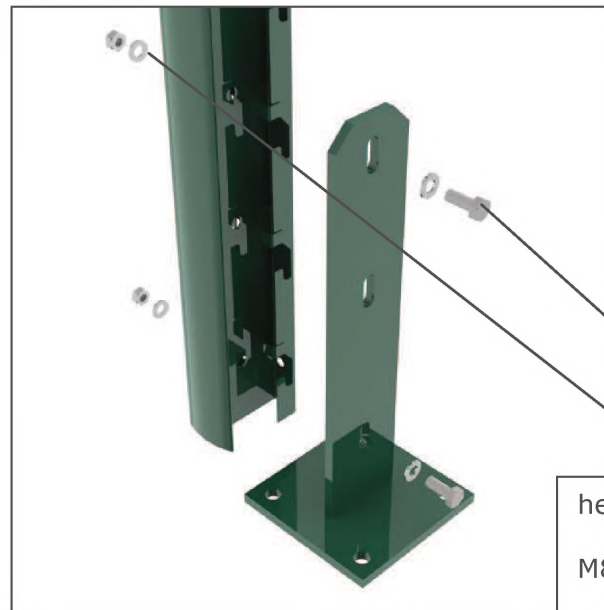
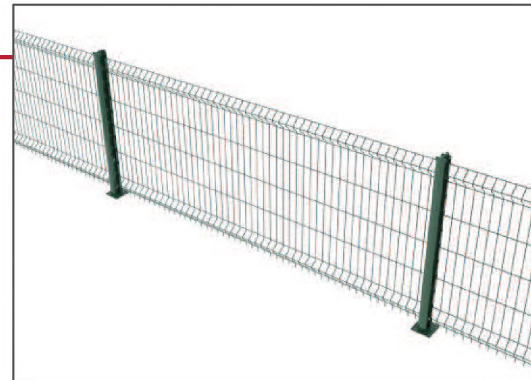


2. Installation of the fencing system

2. Install posts & panels

INSTALLATION OF THE BASE PLATE

- Holes are already foreseen in the posts
- Follow the way of mounting described on the following page



hexagon screw M8x20 – stainless steel - 2x

M8 washer - stainless steel - 4x

M8 nut - stainless steel - 2x

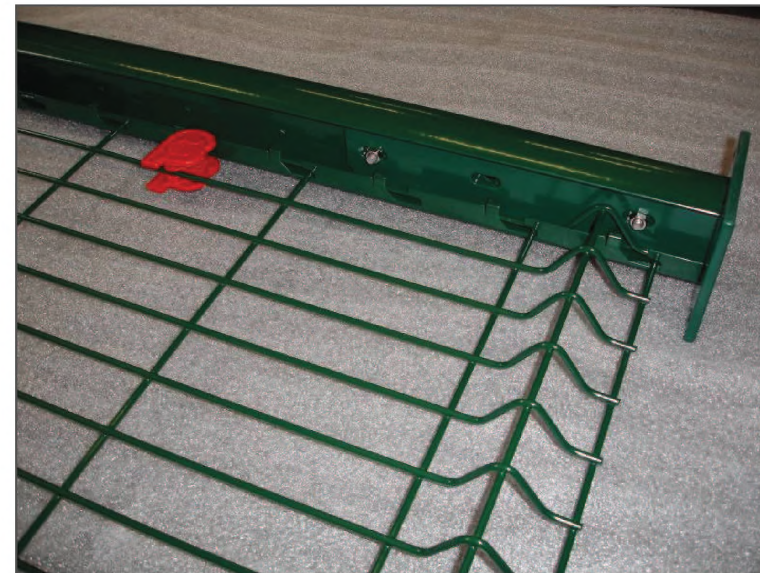
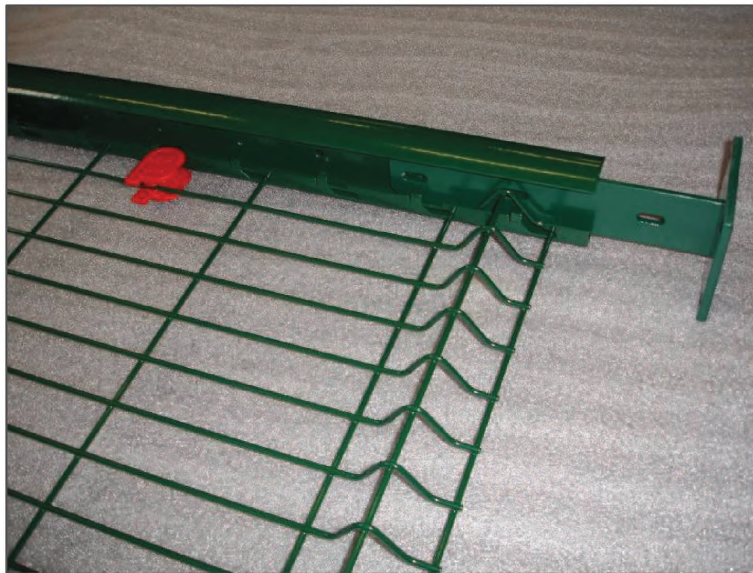
(fasteners are not supplied together with the base plate)

2. Installation of the fencing system

2. Install posts & panels

INSTALLATION OF THE BASE PLATE

1. Install the first post. Position the base plate to the left side of the post. Fix to the ground.
2. Attach a panel to the second post and insert the installation tools.
3. Slide the base plate between panel and post, and fix the base plate to the post.
4. Attach the panel to the first post, insert the installation tools and install the base plate.
5. Repeat these steps to complete the installation.

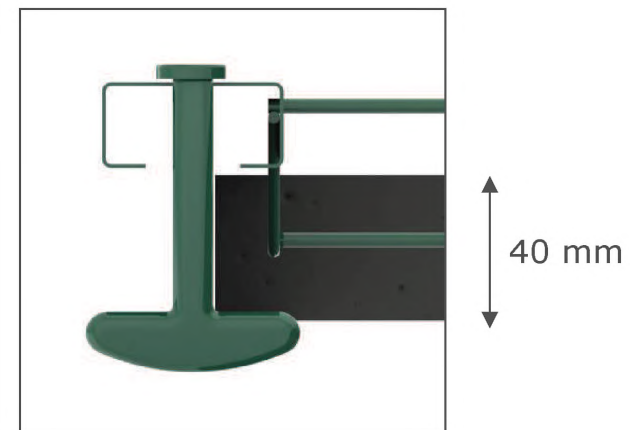
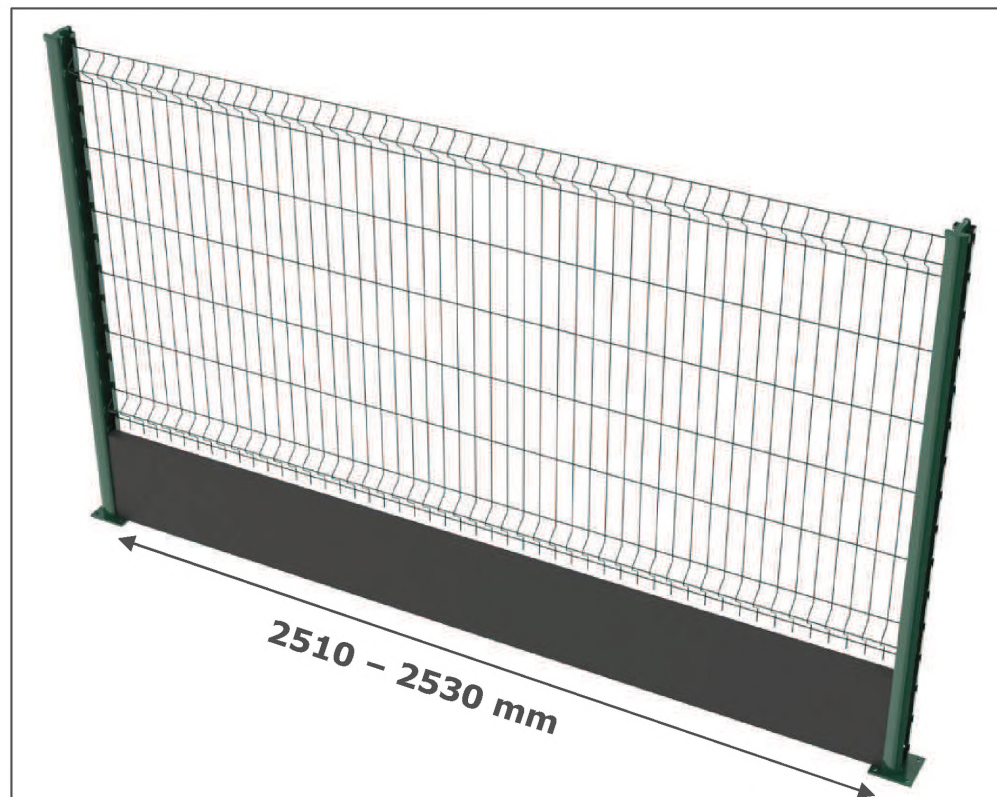


2. Installation of the fencing system

2. Install posts & panels

INSTALLATION WITH CONCRETE PLATE

- Post can be used to hold the concrete plate, no plate holder required



2. Installation of the fencing system

2. Install posts & panels

REPAIR SOLUTION

- If a panel is damaged, you can replace it with a new one by folding the lips that block the panel nose to the outside of the profile
- Use a tongue to fold the lips on one side of the first post and remove the panel
- Put in a new panel and use a tongue to fold the lips back in position



3. Options

EXTENSION ARM FOR QUIXOLID

For added security, to fix barbed wire and Concertina Bent arms are preferably attached to the posts before installing the panels. If necessary, bent arms can also be added after the fence installation

The bent arm is an assymetrical piece and can be mounted to the left or right side of the post, depending on the direction of the bent arm (inside or outside the fence) Make sure the top plate covers the complete profile!

