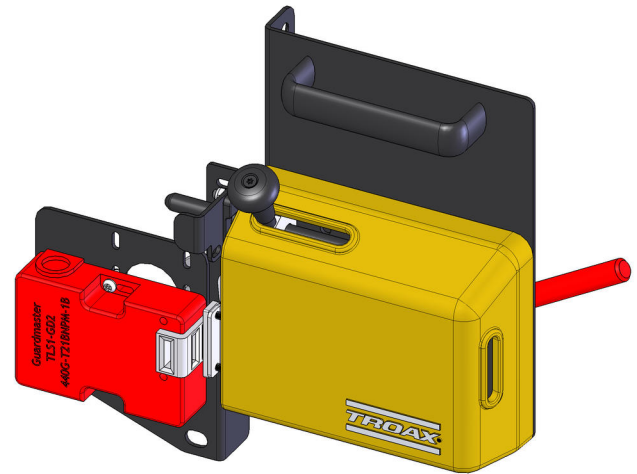


Safe Lock Performance Level d GL

The Safe Lock is designed to protect your personnel and to keep your production running. It's built to fit many different safety switches.

Use our Safe Lock PLd GL (guard locked) for low to medium risk applications where the hazard is not immediately removed after a stop request. The safety switch locks the key and prevents the door from being opened until the machine is in a safe state.

The recommended performance level is determined by the risk assessment. The performance level is a measure of the reliability and architecture of a safety function using a scale from "a" to "e" with "e" being the highest level. Further information about performance level is available in EN ISO 13849-1.



FACTS

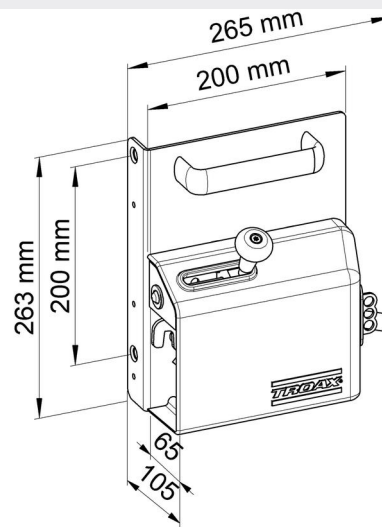
Dimensions (approx.)

W x H x D

200 mm x 263 mm x 105 mm

The Safe Lock is easily mounted on the following door types;

- hinged door
- double hinged door
- sliding door
- double sliding door
- double rail sliding door
- linear door
- telescopic door, telescopic hinged door
- folding door
- sliding door on wheels



SAFETY SWITCHES

Guardmaster TLS -GD2*

*No escape release button

Telemecanique XCS-E7412, -E7312*, -E7512*

Euchner TZ1

Schmersal AZM161*

Siemens 3SE5312

